



**AUTOMATIC ENTRANCE SPECIALISTS**

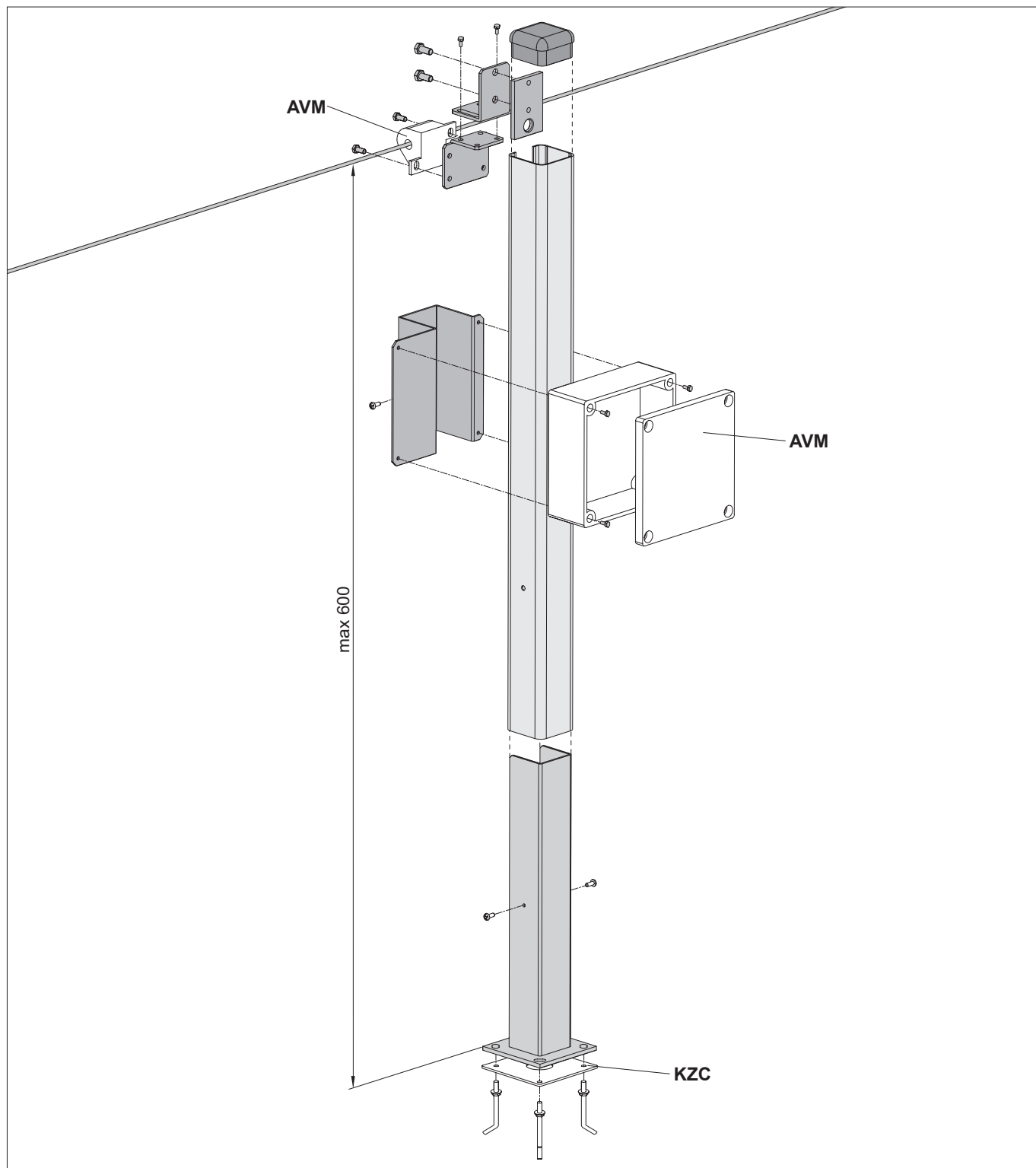


**AVCM**

IP1889  
rev. 2006-06-27

**I** Manuale di installazione colonna AVCM.

**GB** Installation handbook for AVCM column.



DITEC S.p.A.  
Via Mons. Banfi, 3 - 21042 Caronno Pertusella (VA) - ITALY  
Tel. +39 02 963911 - Fax +39 02 9650314  
[www.ditec.it](http://www.ditec.it) - [ditec@ditecva.com](mailto:ditec@ditecva.com)

ISO 9001  
Cert. n° 0957