

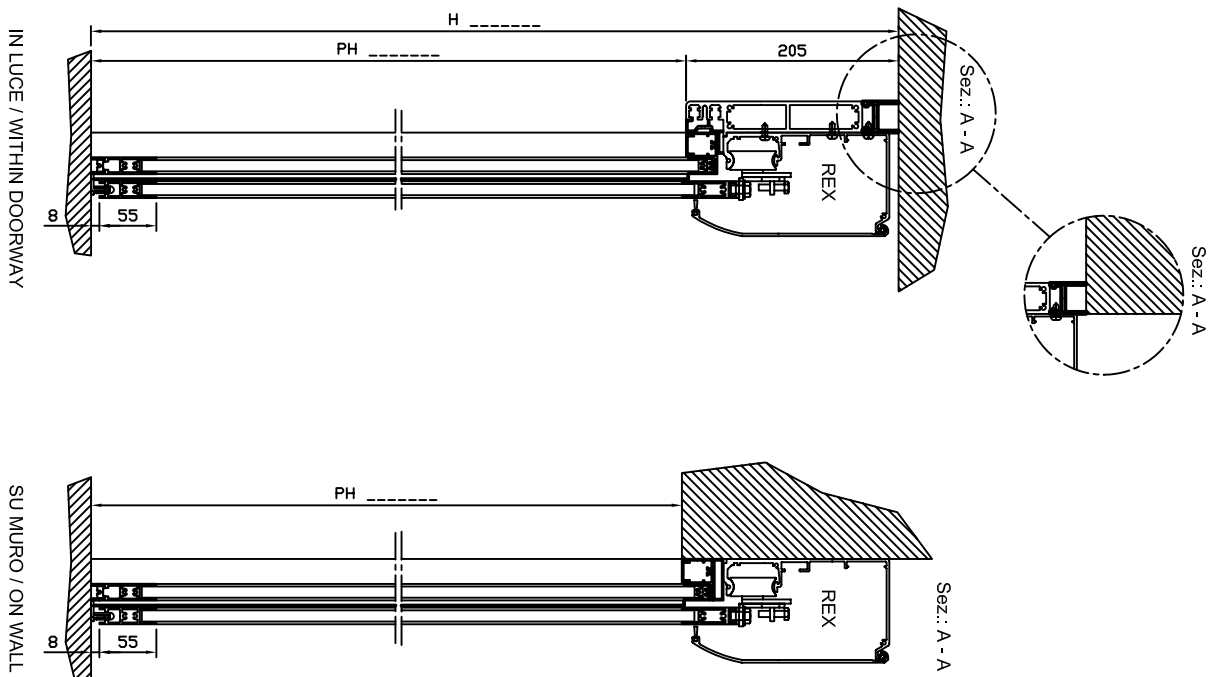
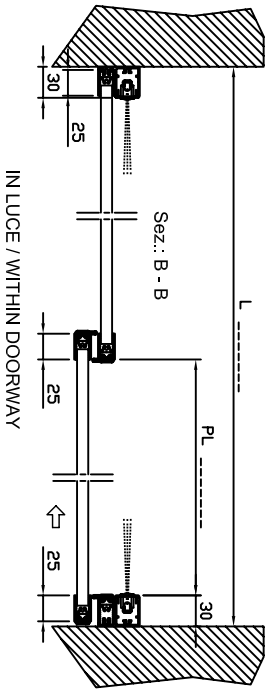
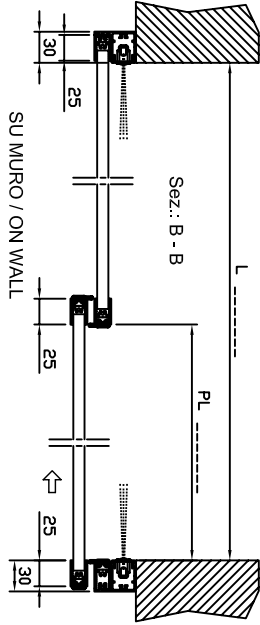
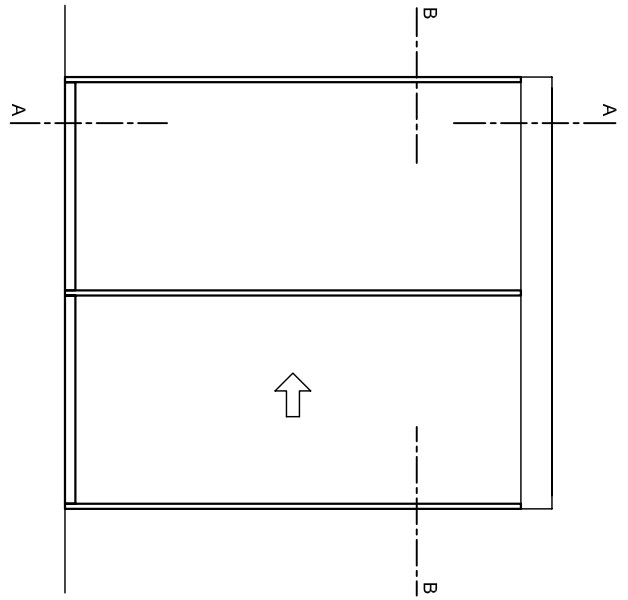
ORIGINAL DRAWING

VALIDATED COPY

A3D-REV.4

I disegni vanno letti non interpretati  
Tolleranza generale per lamierati ISO 2768-c  
Tolleranza generale per pezzi meccanici ISO 2768-m

Drawing must be carefully read and not freely construed  
General tolerances for sheet metal class ISO 2768-c  
General tolerances for mechanical component class ISO 2768-m



<b>DITEC</b>		Via Mons. Benelli, 3 - 21042 CARONNO P.L.L.A. (VA) ITALY	
Tel. +39 02 9639111 - Fax +39 02 9630314 - www.ditec.it		DRAWING N. P16A1-11_REX	
TITILE: PAM 16A1 STD - DOOR 1AM+1AF		DATE OF ISSUE 26/01/07	
AUTOMAZIONE REX / OPERATOR REX		ISSUED BY Vanchiarutti	
SU MURO E IN LUCE / ON WALL AND WITHIN DOORWAY		SCALE 1 : 5	
Disegno di proprietà DITEC S.p.A. - riproduzione vietata a norma di legge. DITEC S.p.A., registered document any reproduction is prohibited by law.			