

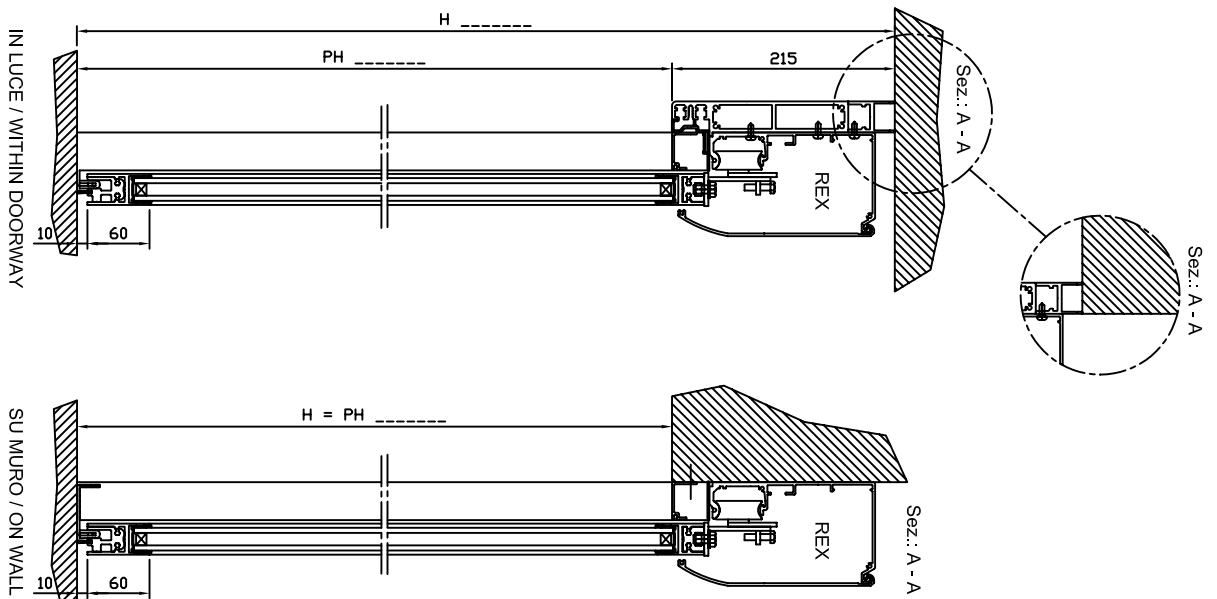
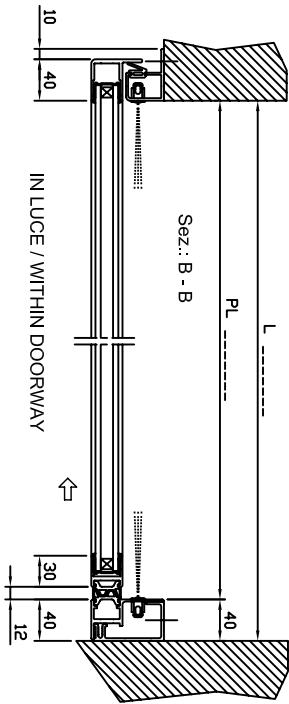
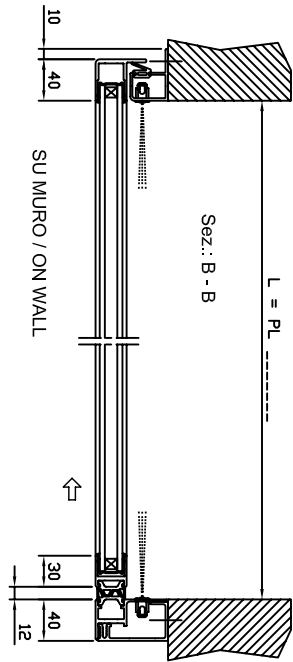
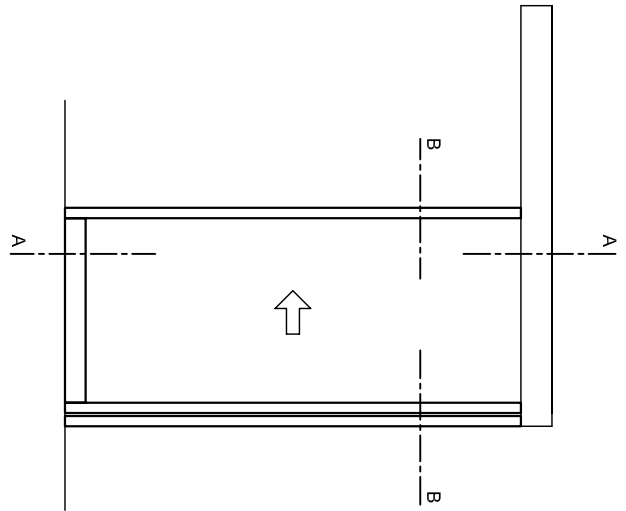
ORIGINAL DRAWING

VALIDATED COPY

A3D-REV.4

I disegni vanno letti non interpretati
Tolleranza generale per lamierati ISO 2768-c
Tolleranza generale per pezzi meccanici ISO 2768-m

Drawing must be carefully read and not freely construed
General tolerances for sheet metal class ISO 2768-c
General tolerances for mechanical component class ISO 2768-m



DITEC		Via Mons. Benelli, 3 - 21042 CARONNO P. LLA (VA) ITALY	
Tel. +39 02 9639111 - Fax +39 02 9650314 - www.ditec.it		P30-1-REX	
TITLE: PAM 30 STD - DOOR 1AM		DRAWING N.	
AUTOMAZIONE REX / OPERATOR REX		DATE OF ISSUE	
SU MURO E IN LUCE / ON WALL AND WITHIN DOORWAY		ISSUED BY	
Disegno di proprietà DITEC S.p.A. riproduzione vietata a norma di legge.		30/01/07	
DITEC S.p.A., registered document any reproduction is prohibited by law.		Vanchiarutti	
SCALE		1 : 5	