

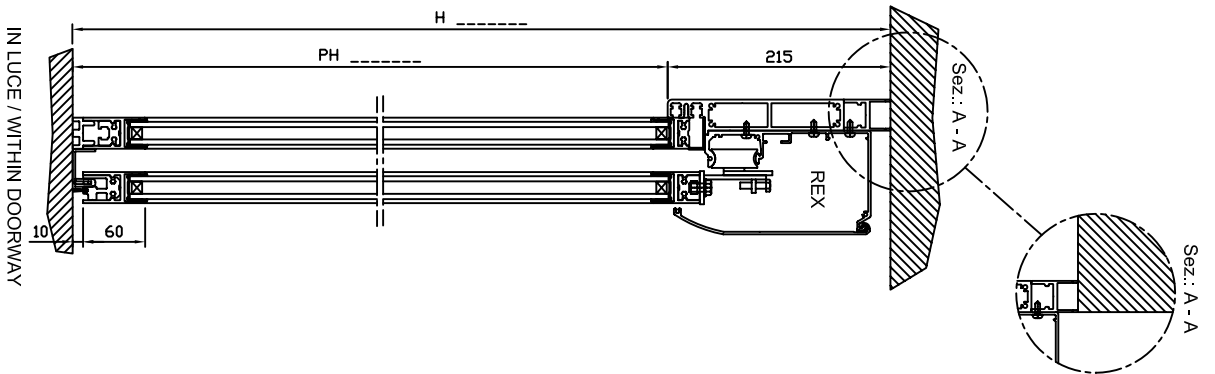
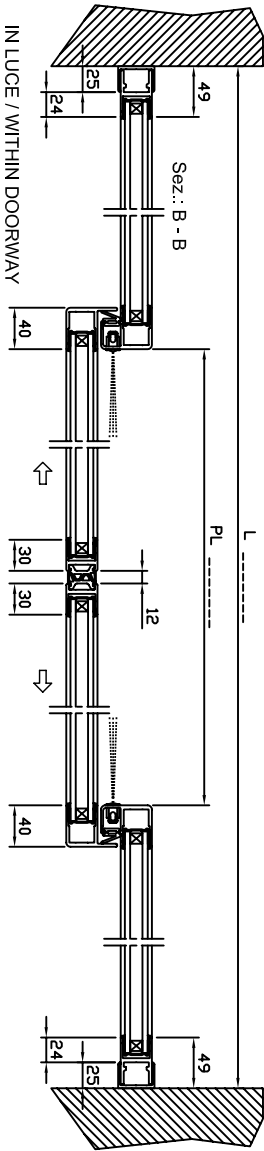
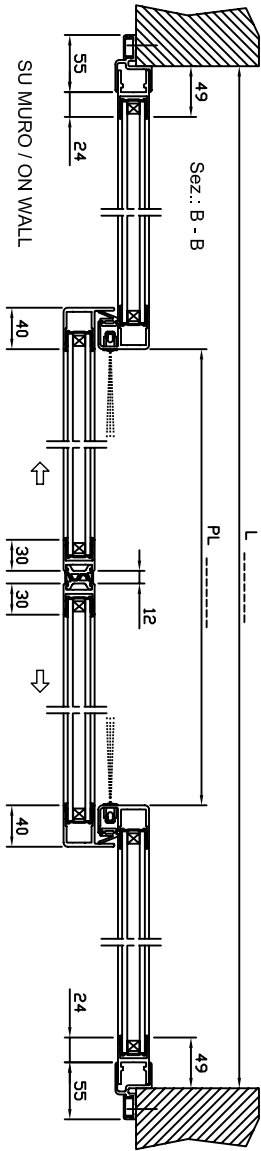
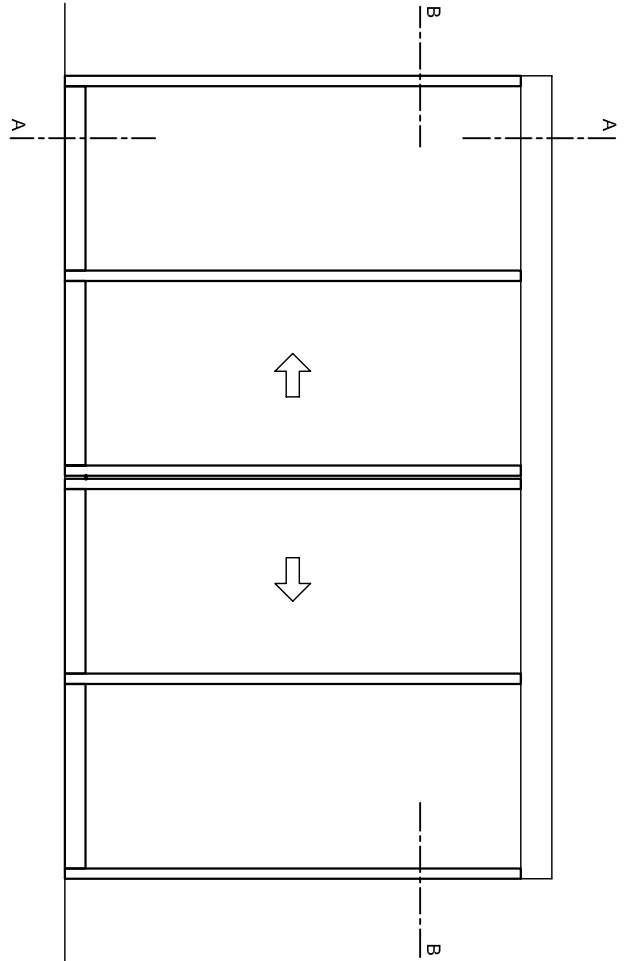
ORIGINAL DRAWING

VALIDATED COPY

A3D-REV.4

I disegni vanno letti non interpretati  
Tolleranza generale per lamierati ISO 2768-c  
Tolleranza generale per pezzi meccanici ISO 2768-m

Drawing must be carefully read and not freely construed  
General tolerances for sheet metal class ISO 2768-c  
General tolerances for mechanical component class ISO 2768-m



Via Mons. Benlli, 3 - 21042 CARONNO P.LLA (VA) ITALY  
Tel. +39 02 9639111 - Fax +39 02 9650314 - www.ditec.it

TITLE: PAM 30 STD - DOOR 2AM+2AF

AUTOMAZIONE REX / OPERATOR REX

SU MURO E IN LUCE / ON WALL AND WITHIN DOORWAY

Disegno di proprietà DITEC S.p.A. - riproduzione vietata a norma di legge.  
DITEC S.p.A., registered document any reproduction is prohibited by law.

DRAWING N° P30-22\_REX

DATE OF ISSUE

ISSUED BY

SCALE

30/01/07

Vanchiarutti

1 : 5