

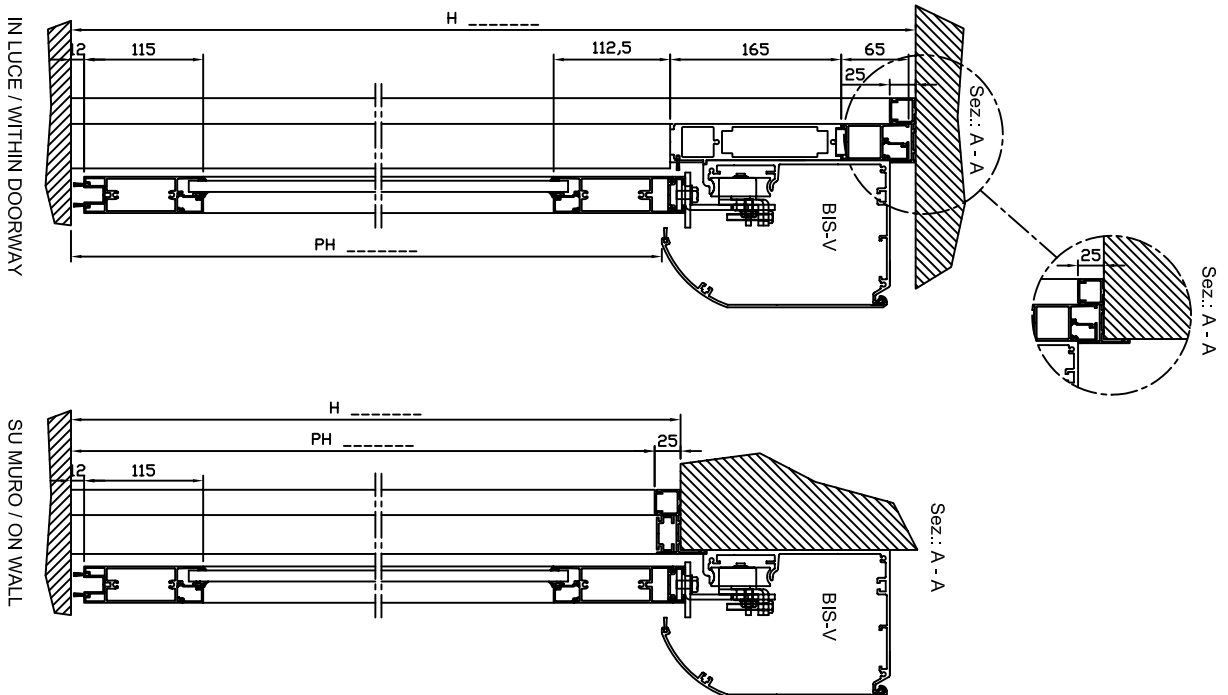
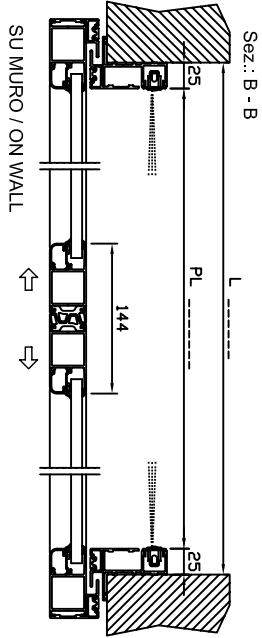
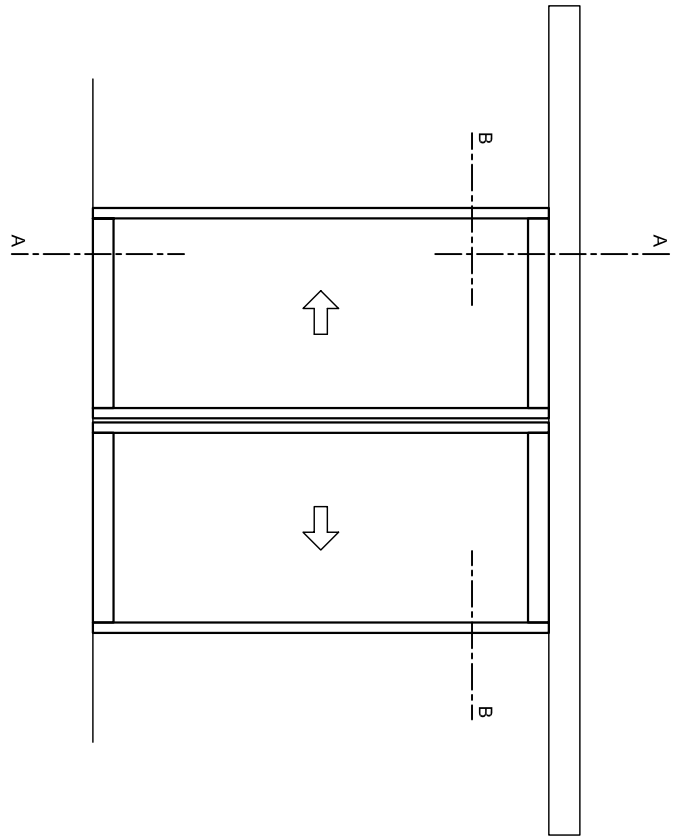
ORIGINAL DRAWING

VALIDATED COPY

A3D-REV.4

I disegni vanno letti non interpretati  
Tolleranza generale per lamierati ISO 2768-c  
Tolleranza generale per pezzi meccanici ISO 2768-m

Drawing must be carefully read and not freely construed  
General tolerances for sheet metal class ISO 2768-c  
General tolerances for mechanical component class ISO 2768-m



Via Mons. Banti, 3 - 21042 CARONNO P.LLA (VA) ITALY  
Tel. +39 02 9639111 - Fax +39 02 9630314 - www.ditec.it

TITLE: PAM 35F STD - DOOR 2AM

AUTOMAZIONE BIS-V / OPERATOR BIS-V

SU MURO E IN LUCE / ON WALL AND WITHIN DOORWAY

Disegno di proprietà DITEC S.p.A. Riproduzione vietata a norma di legge.  
DITEC S.p.A., registered document any reproduction is prohibited by law.

P35F-2\_BIS-V

DRAWING N°

DATE OF ISSUE

ISSUED BY

SCALE

12/06/06

Vanchiarutti

1 : 5