



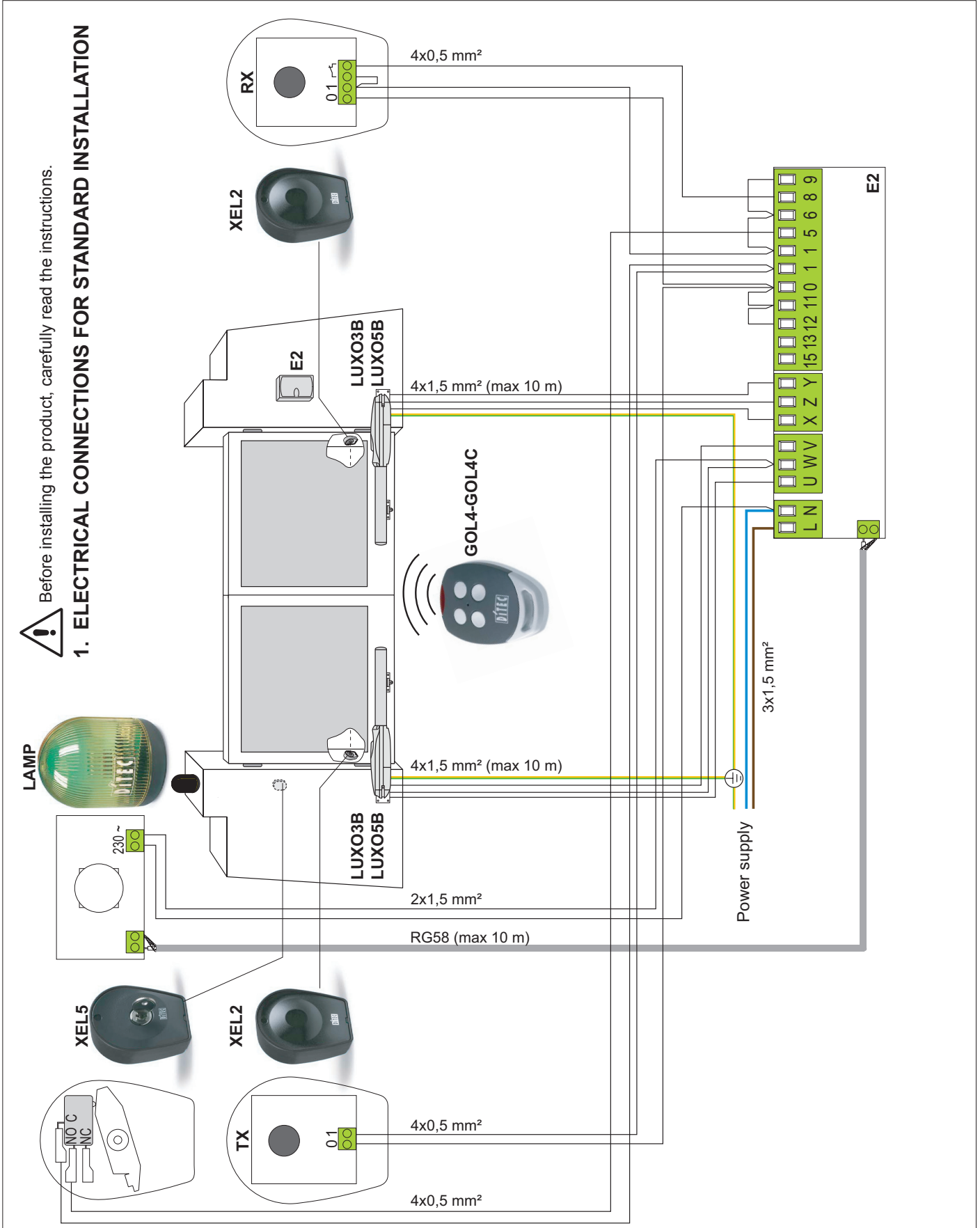
AUTOMATIC ENTRANCE SPECIALISTS

# LUXO3B / 5B - E2 QUICK REFERENCE

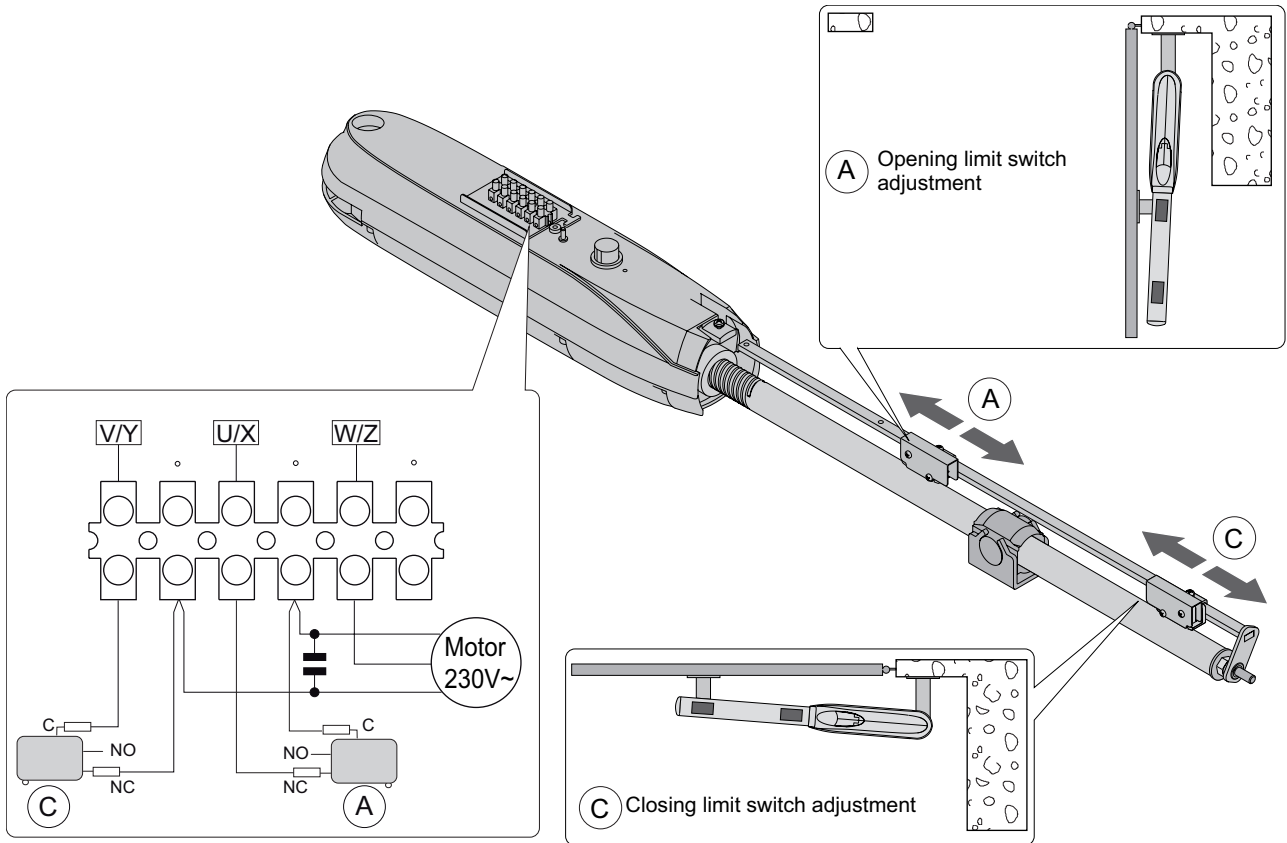
IP2009  
rev. 2008-10-13

 Before installing the product, carefully read the instructions.

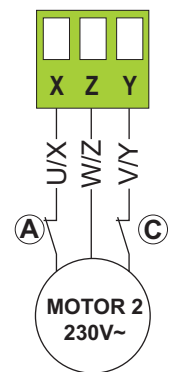
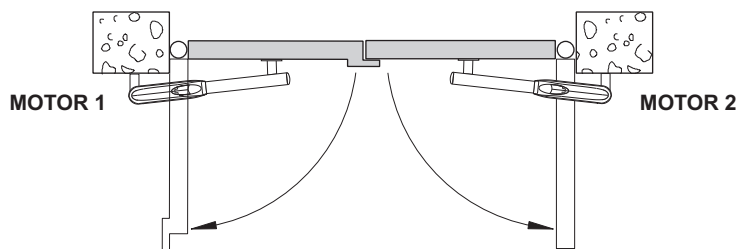
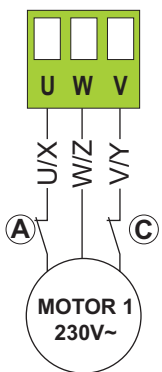
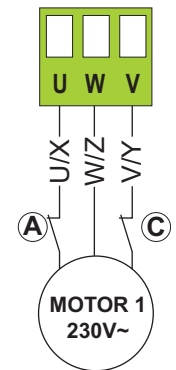
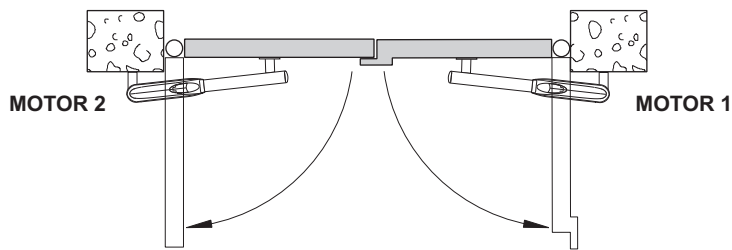
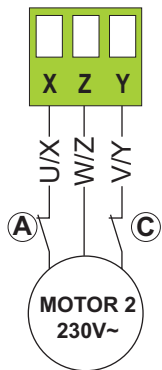
## 1. ELECTRICAL CONNECTIONS FOR STANDARD INSTALLATION



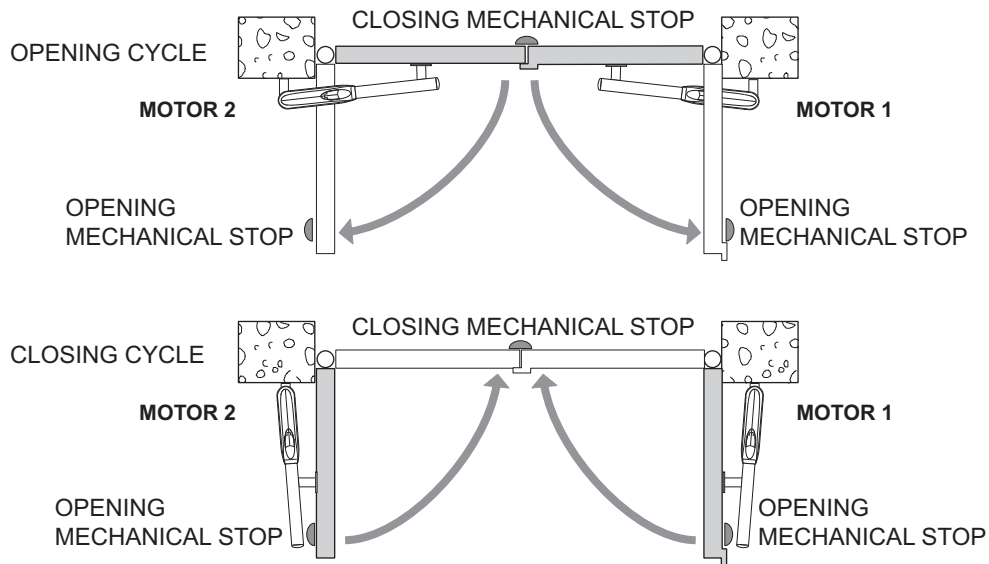
## 2. LIMIT SWITCHES CONNECTION (OPTIONAL)



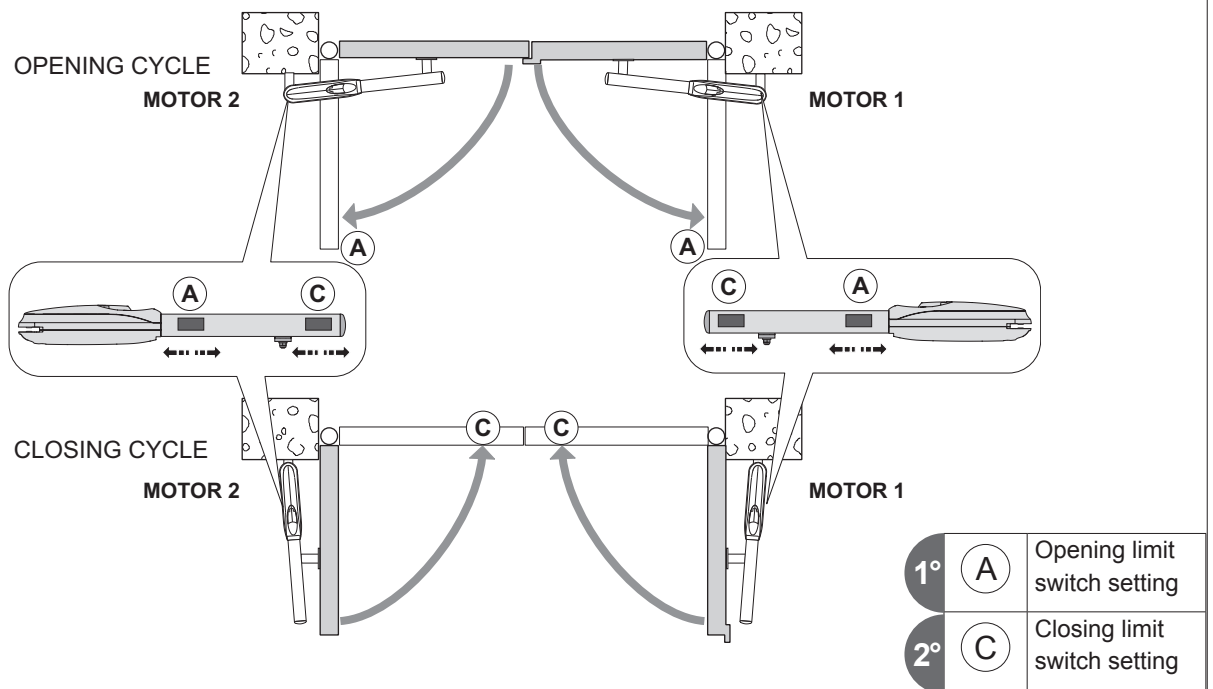
## 3. LUXO3B-5B MOTORS CONNECTION



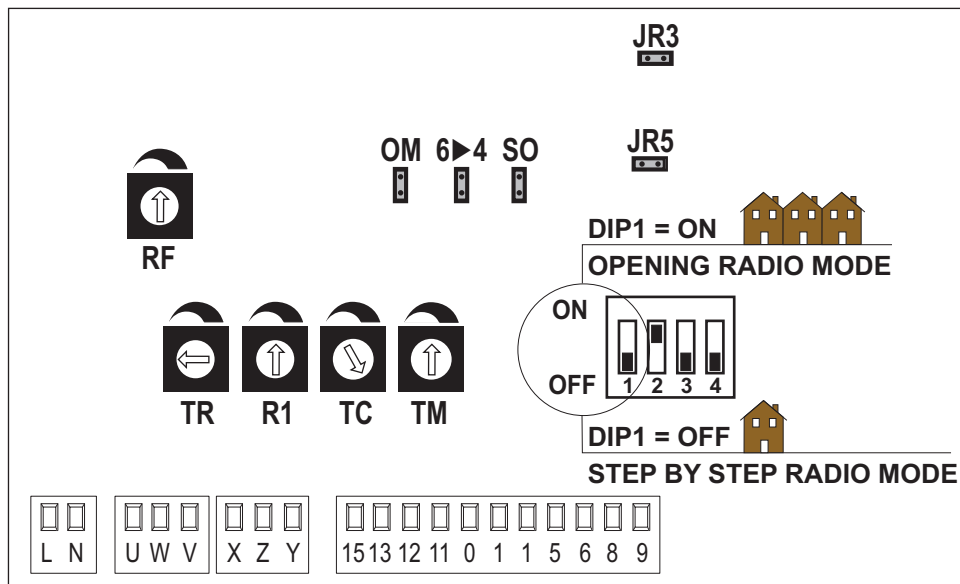
## 4.1 USAGE WITHOUT LIMIT SWITCHES



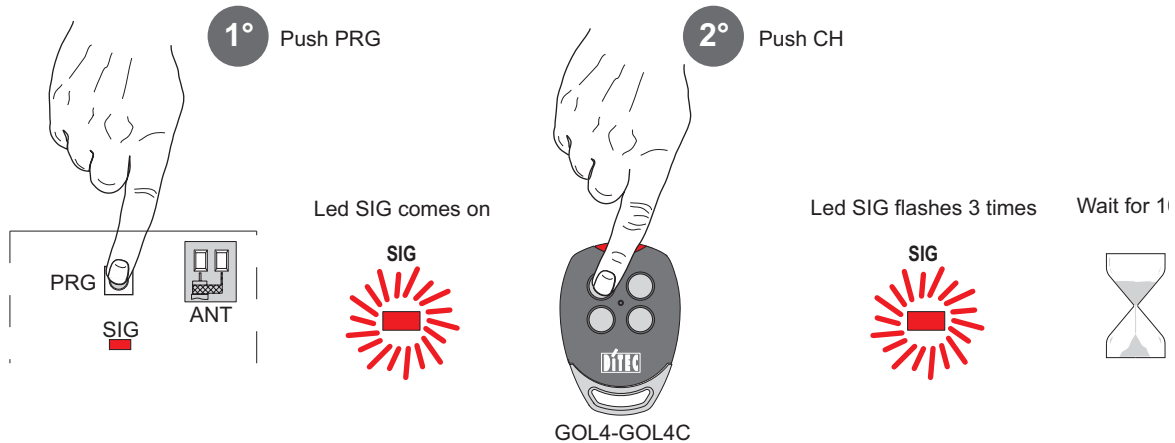
## 4.2. USAGE WITH STOP LIMIT SWITCHES (OPTIONAL)



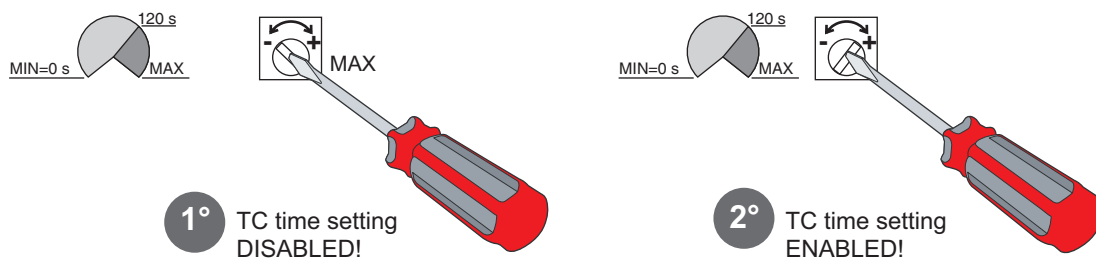
## 5. E2 STANDARD SETTING



## 6. RADIO ENABLING



## 7. AUTOMATIC CLOSING SETTING



For different setting and further information consult the LUXO automation instruction manual, the E2 control panel instruction manual and BIXLR22 radio instruction manual.

DITEC S.p.A.  
Via Mons. Banfi, 3 - 21042 Caronno Pertusella (VA) - ITALY  
Tel. +39 02 963911 - Fax +39 02 9650314  
www.ditec.it - ditec@ditecva.com