



AUTOMATIC ENTRANCE SPECIALISTS

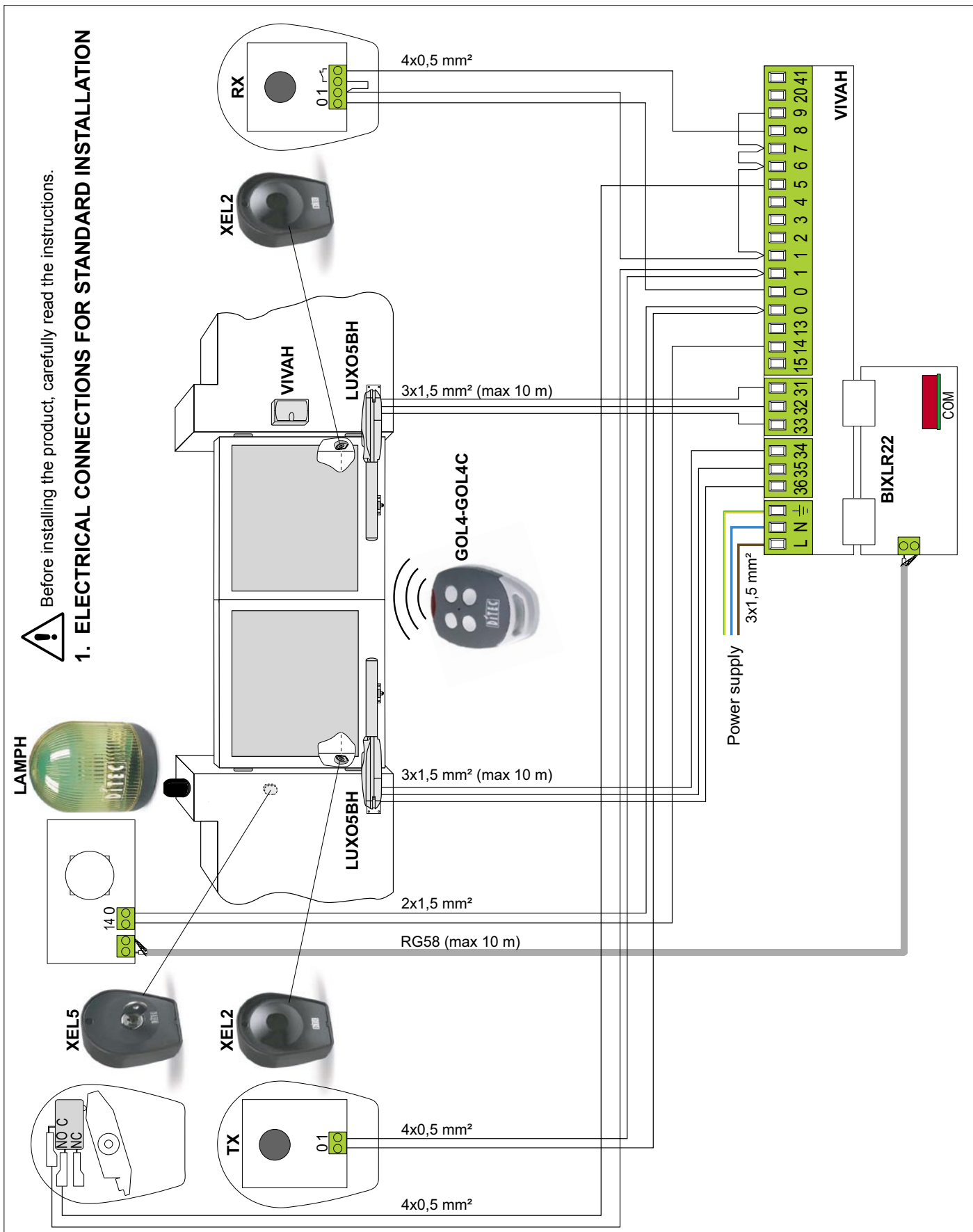
# LUXO5BH - VIVAH QUICK REFERENCE

IP1657  
rev. 2008-03-17

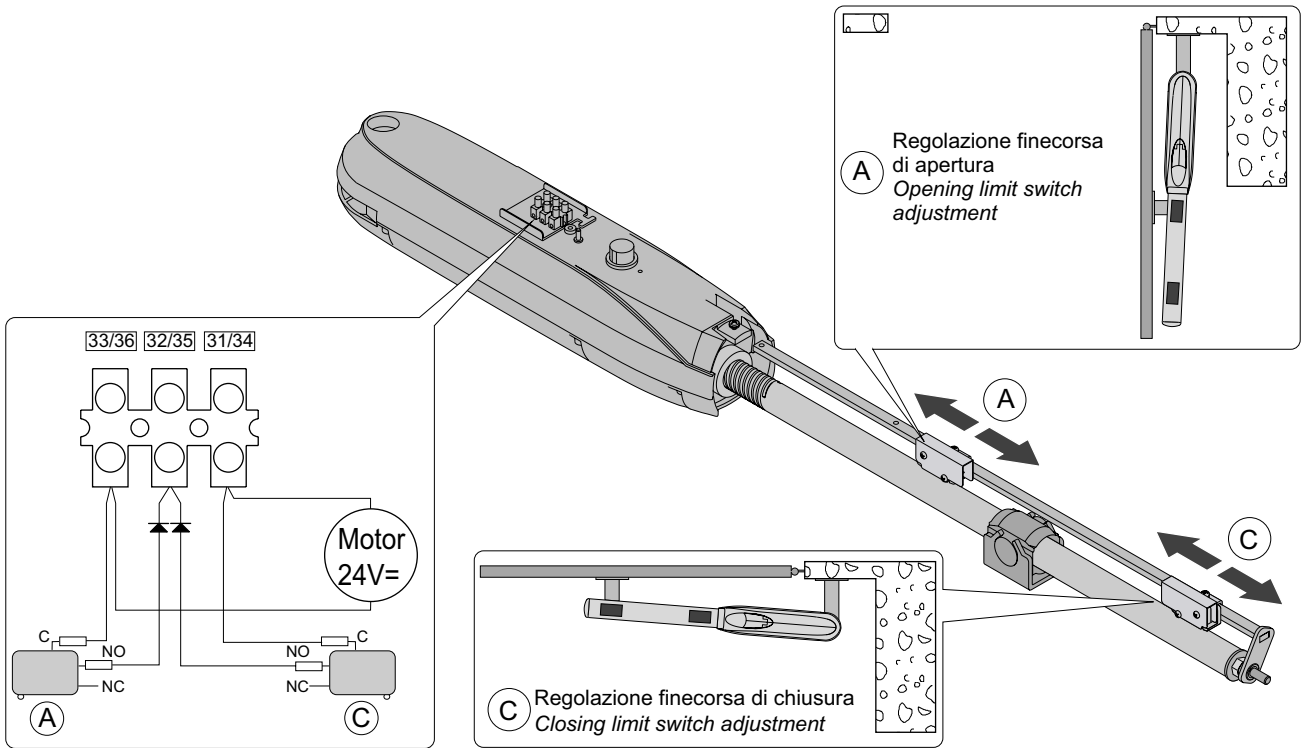


Before installing the product, carefully read the instructions.

## 1. ELECTRICAL CONNECTIONS FOR STANDARD INSTALLATION

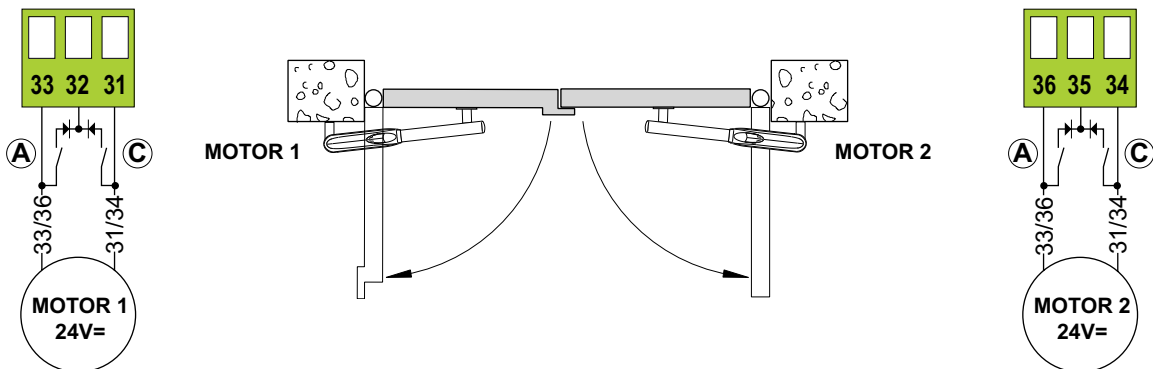
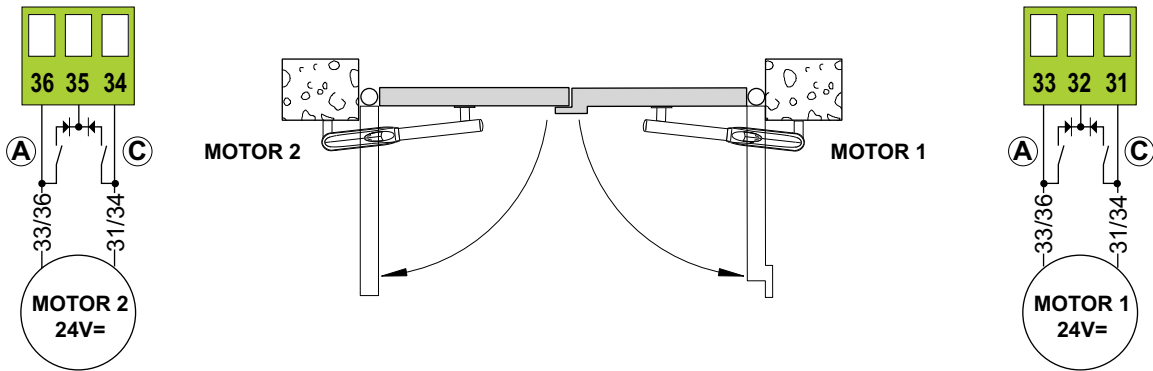


## 2. LIMIT SWITCHES CONNECTION (OPTIONAL)



1N4007

## 3. LUXO5BH MOTORS CONNECTION



### 4.1 USAGE WITHOUT LIMIT SWITCHES

	FC = ON
1°	VM speed setting
2°	M1 time setting
2°	M2 time setting
	Slow down speed after M1/M2 time setting.

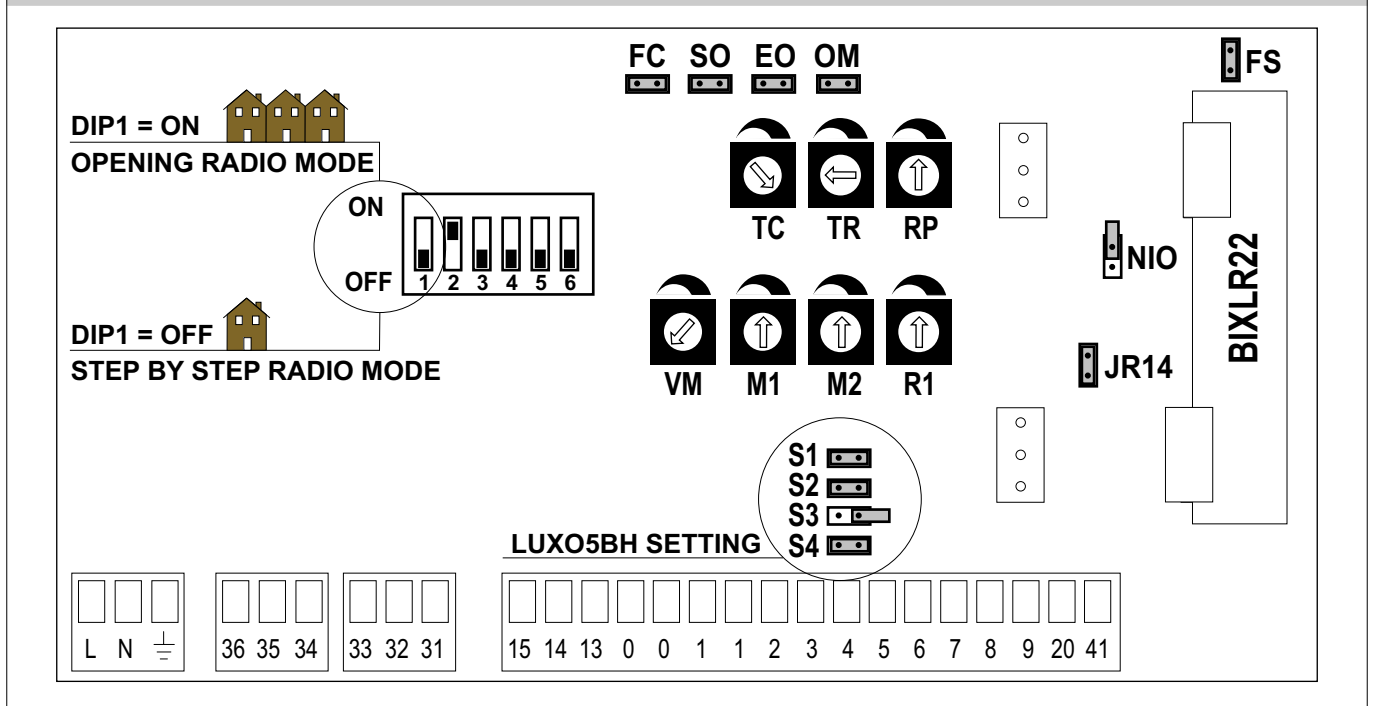
### 4.2. USAGE WITH SLOW DOWN LIMIT SWITCHES (OPTIONAL)

	FC = ON
1°	VM speed setting
	M1 = MAX
	M2 = MAX
2°	Opening limit switch setting
3°	Closing limit switch setting
	Slow down speed after limit switch activation

### 4.3 USAGE WITH STOP LIMIT SWITCHES (OPTIONAL)

	FC = OFF
1°	VM speed setting
2°	M1 time setting
2°	M2 time setting
3°	Opening limit switch setting
4°	Closing limit switch setting
	Slow down speed after M1/M2 time setting

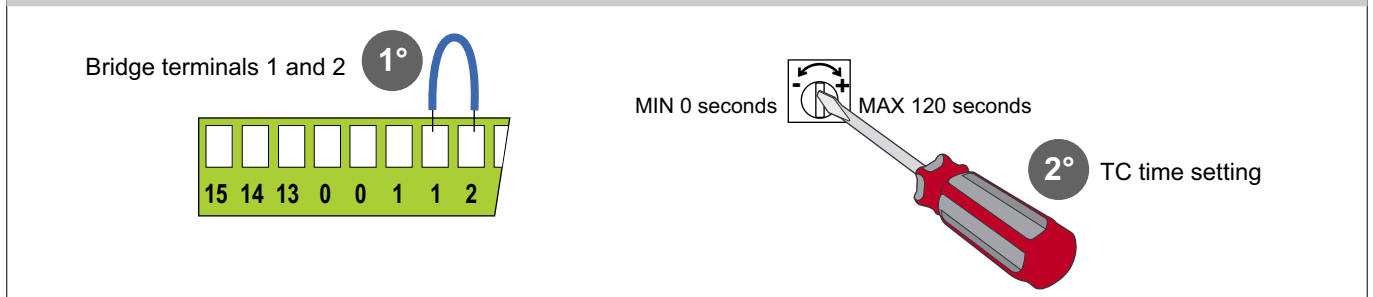
## 5. VIVAH STANDARD SETTING



## 6. RADIO ENABLING



## 7. AUTOMATIC CLOSING SETTING



For different setting and further information consult the LUXO automation instruction manual, the VIVAH control panel instruction manual and BIXLR22 radio instruction manual.