



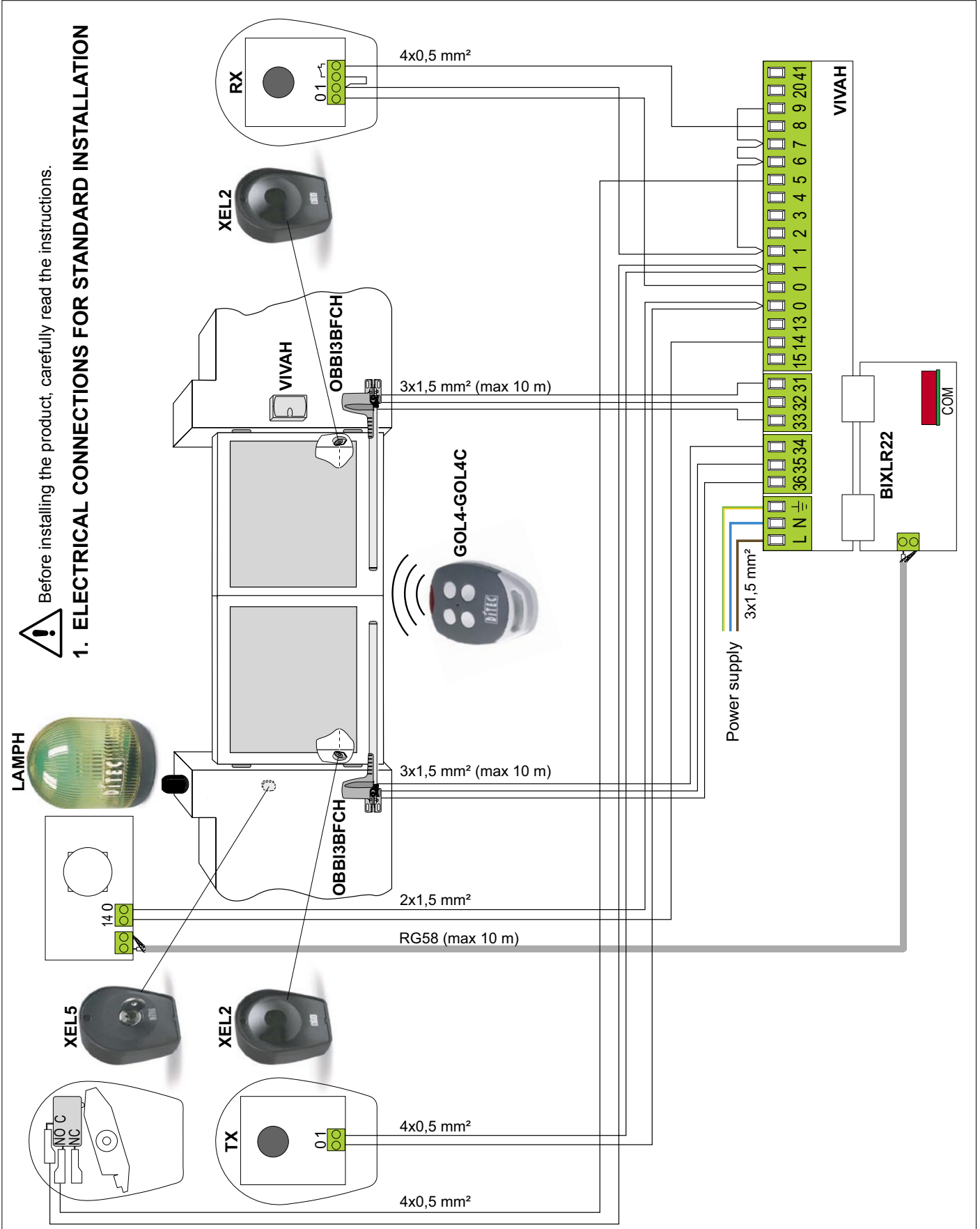
AUTOMATIC ENTRANCE SPECIALISTS

OBBI3BFCH - VIVAH QUICK REFERENCE

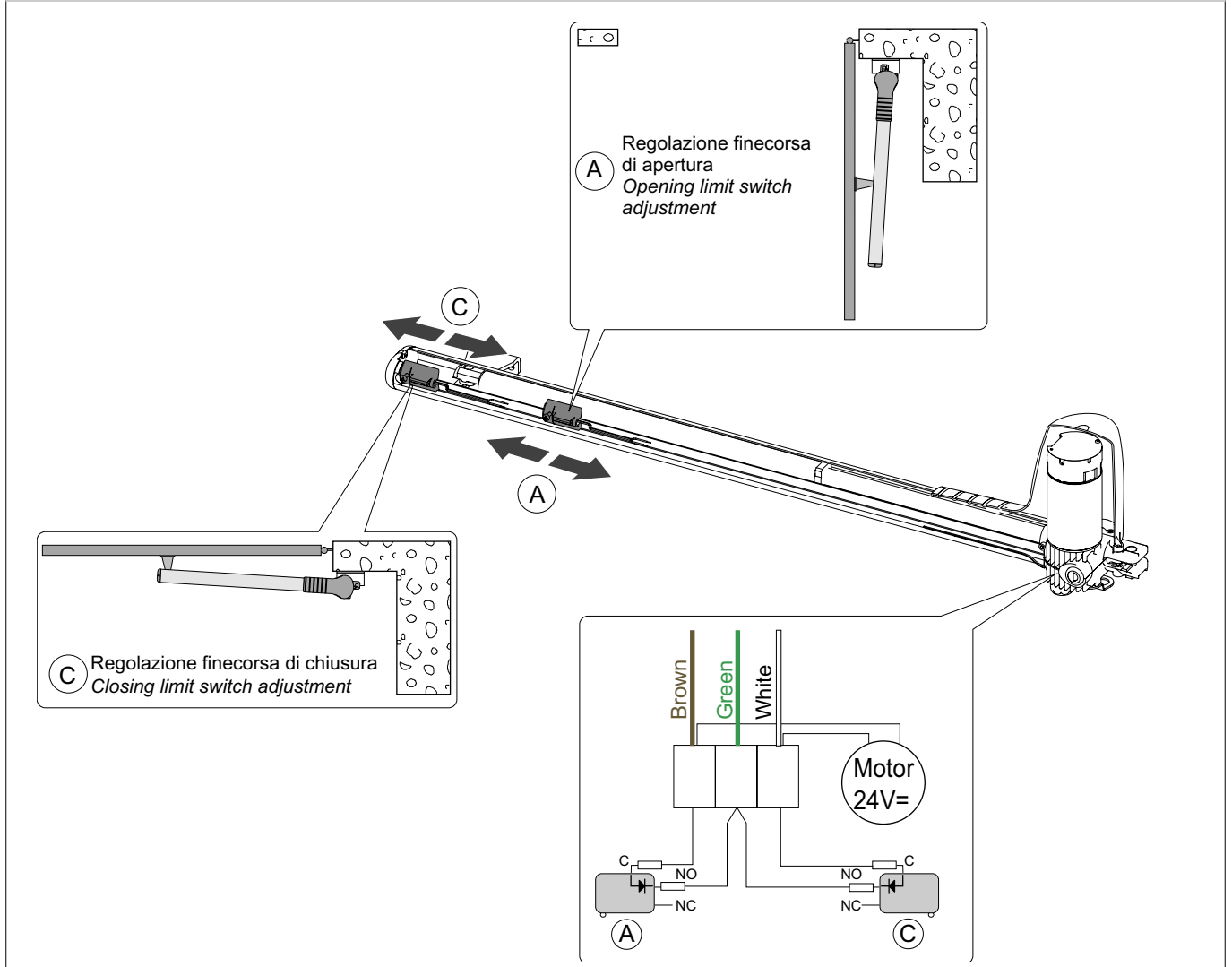
IP1957
rev. 2008-03-17

 Before installing the product, carefully read the instructions.

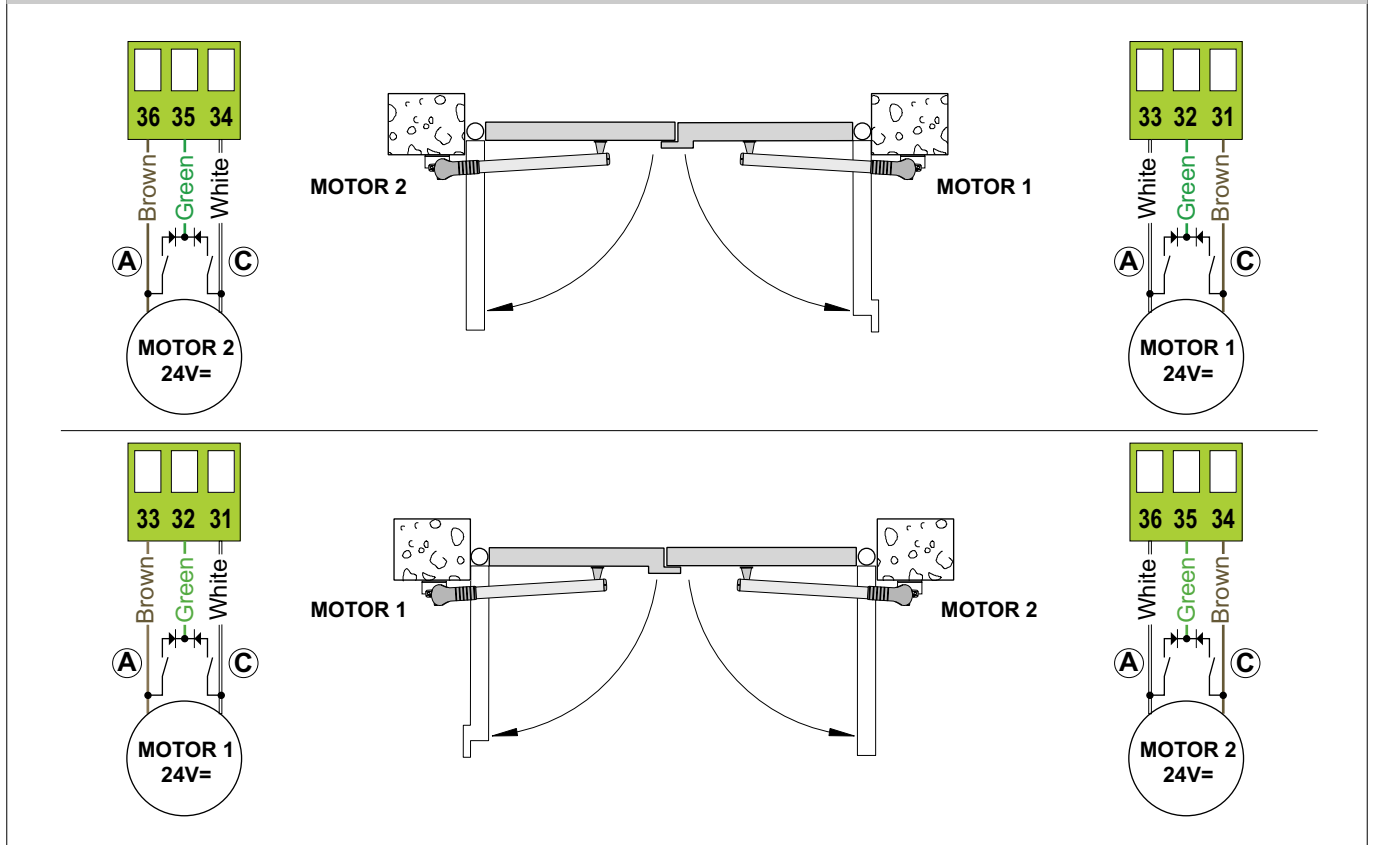
1. ELECTRICAL CONNECTIONS FOR STANDARD INSTALLATION



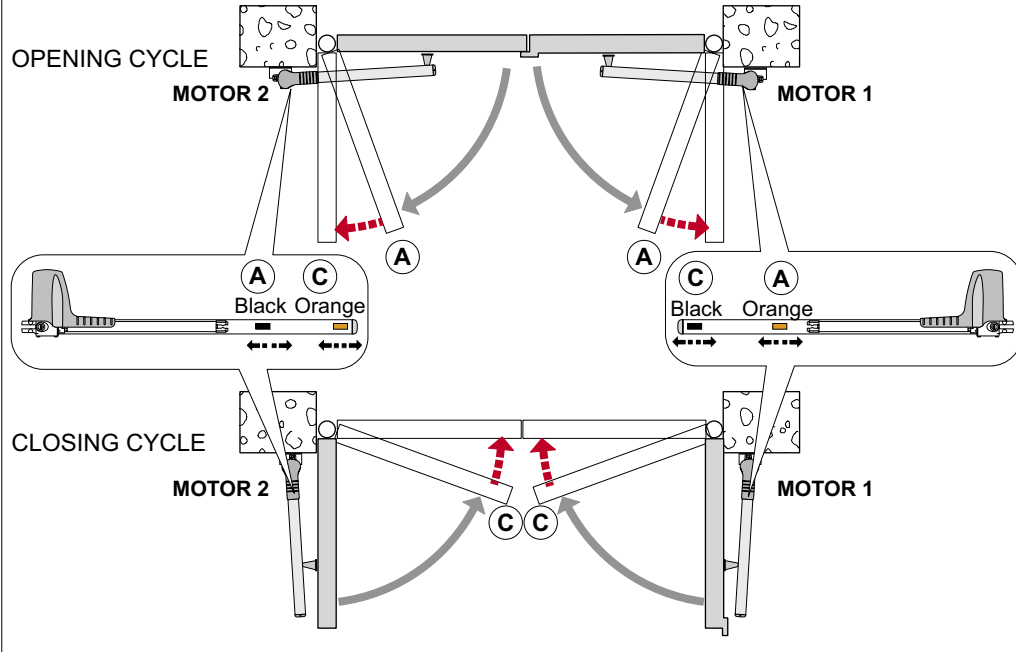
2. LIMIT SWITCHES CONNECTION



3. OBBI3BFCH MOTORS CONNECTION

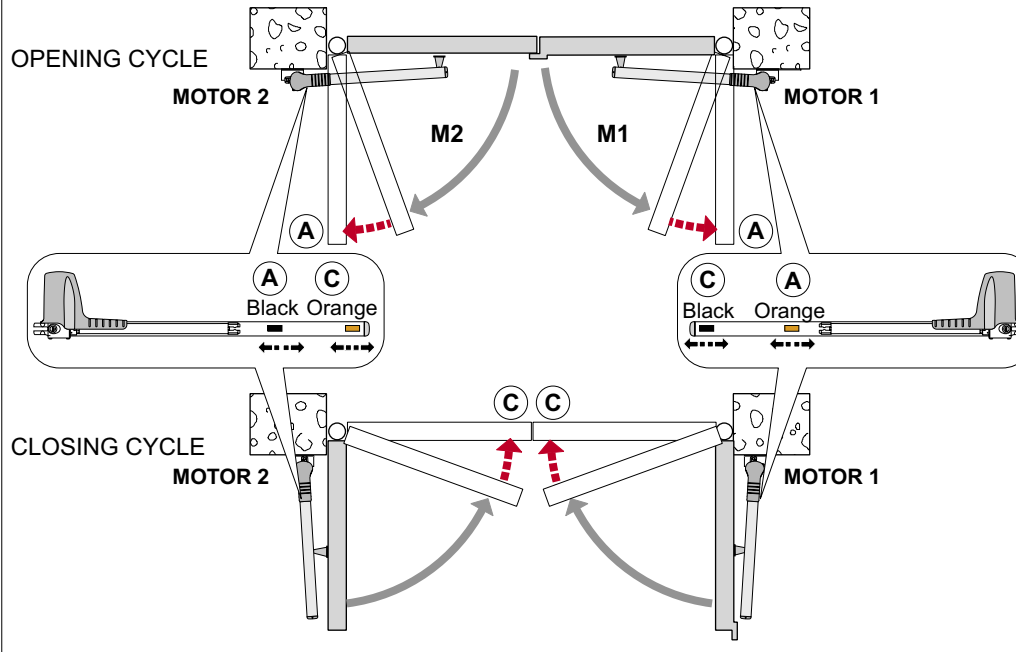


4.1. USAGE WITH SLOW DOWN LIMIT SWITCHES



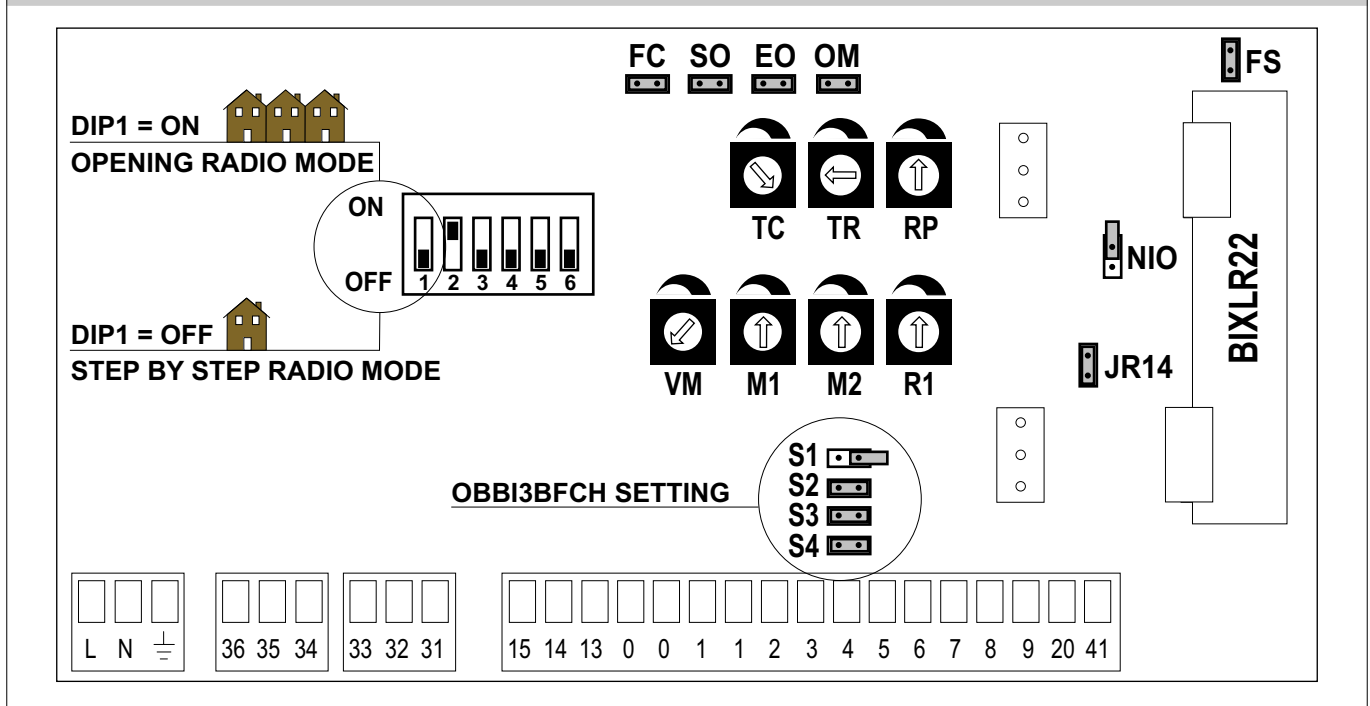
		FC = ON
1°		VM speed setting
		M1 = MAX
		M2 = MAX
2°		Opening limit switch setting
3°		Closing limit switch setting
		Slow down speed after limit switch activation

4.2 USAGE WITH STOP LIMIT SWITCHES



		FC = OFF
1°		VM speed setting
2°		M1 time setting
2°		M2 time setting
3°		Opening limit switch setting
4°		Closing limit switch setting
		Slow down speed after M1/M2 time setting

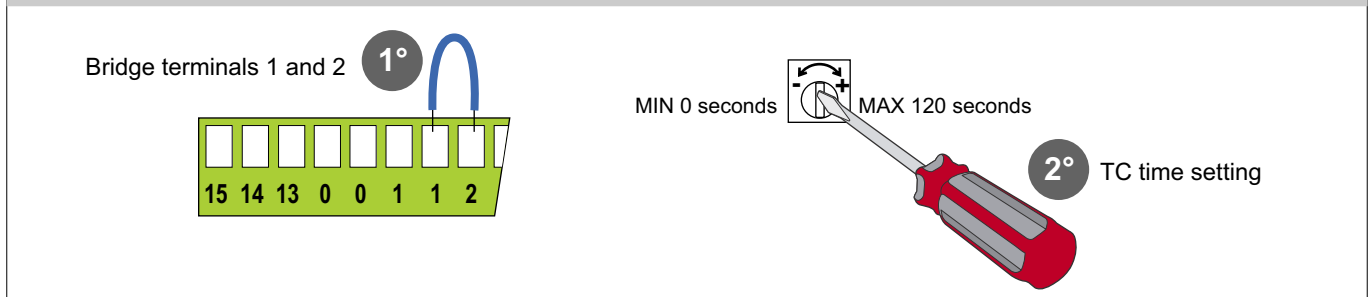
5. VIVAH STANDARD SETTING



6. RADIO ENABLING



7. AUTOMATIC CLOSING SETTING



For different setting and further information consult the OBBI automation instruction manual, the VIVAH control panel instruction manual and BIXLR22 radio instruction manual.