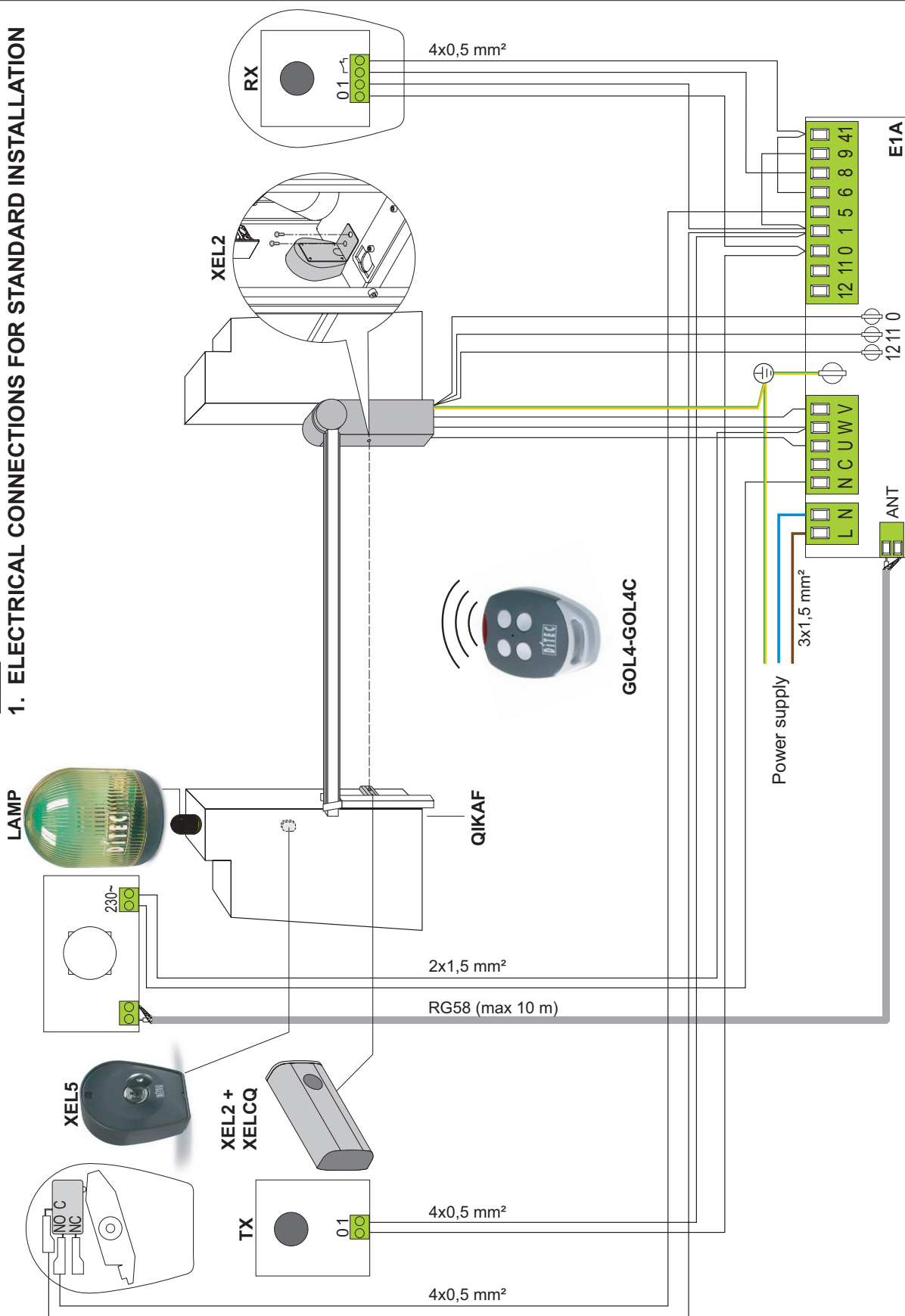


### QIK4E - E1A QUICK REFERENCE

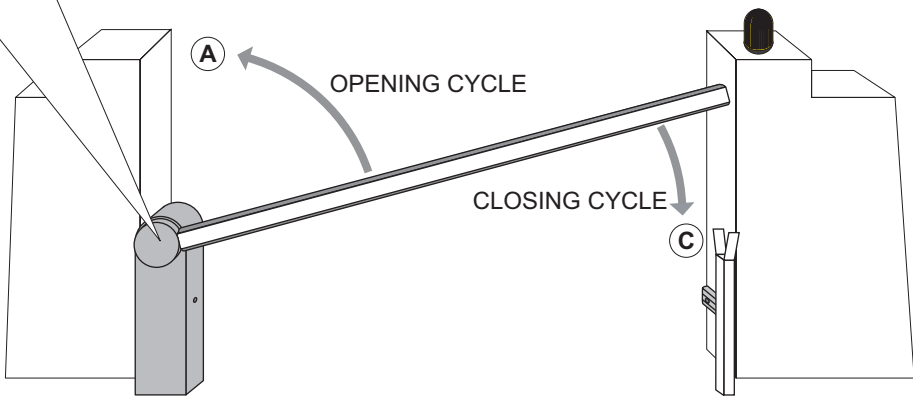
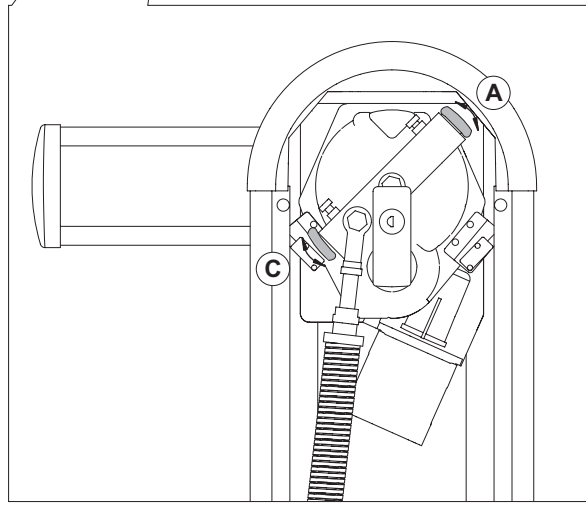
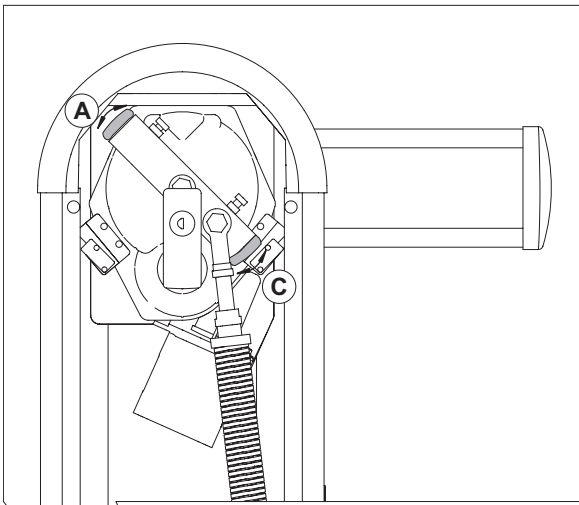
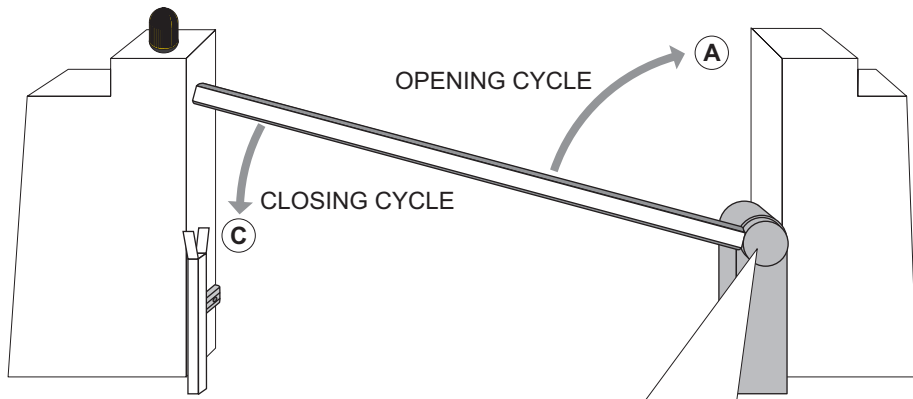
IP2013  
rev. 2008-09-22

Before installing the product, carefully read the instructions.

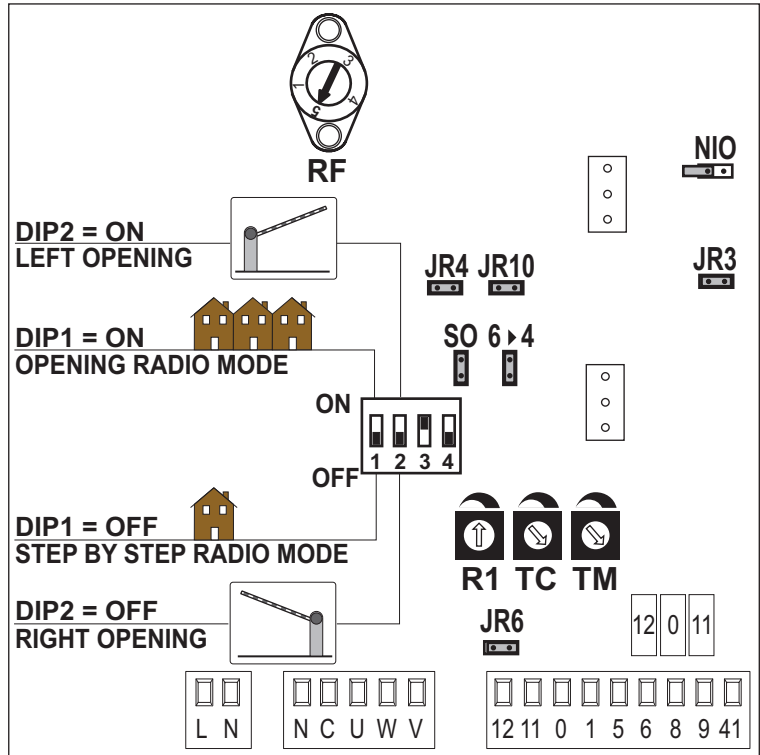
#### 1. ELECTRICAL CONNECTIONS FOR STANDARD INSTALLATION



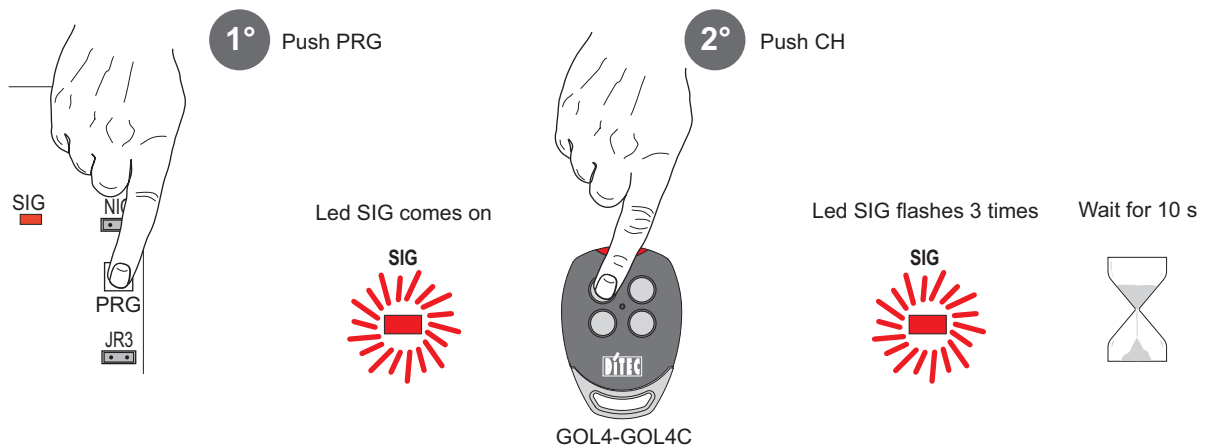
## 2. USAGE WITH STOP LIMIT SWITCH



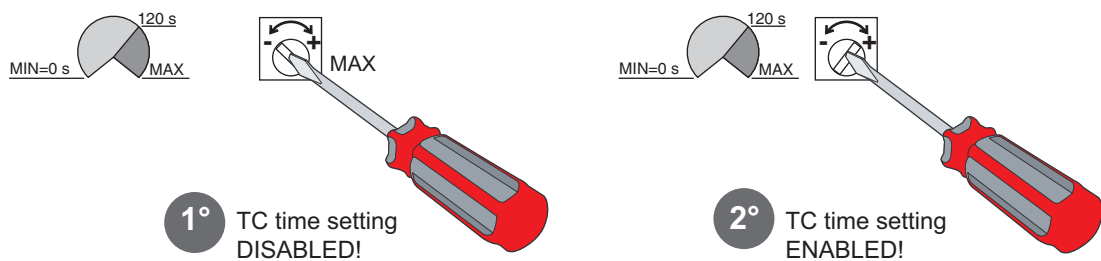
### 3. E1A STANDARD SETTING



### 4. RADIO ENABLING



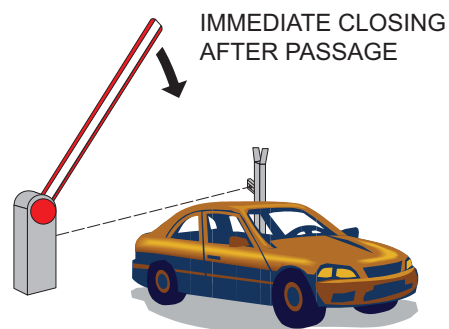
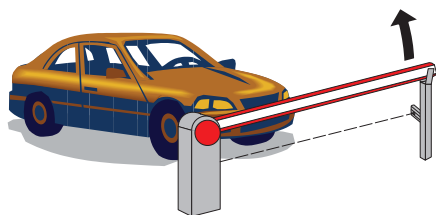
### 5. AUTOMATIC CLOSING SETTING



## 6. PARKING USAGE



- 1°  
DIP1 = ON  
DIP3 = OFF  
6>4 = OFF



For different setting and further information consult the QIK4E automation instruction manual, the E1A control panel instruction manual and BIXLR22 radio instruction manual.

DITEC S.p.A.  
Via Mons. Banfi, 3 - 21042 Caronno Pertusella (VA) - ITALY  
Tel. +39 02 963911 - Fax +39 02 9650314  
[www.ditec.it](http://www.ditec.it) - [ditec@ditecva.com](mailto:ditec@ditecva.com)