



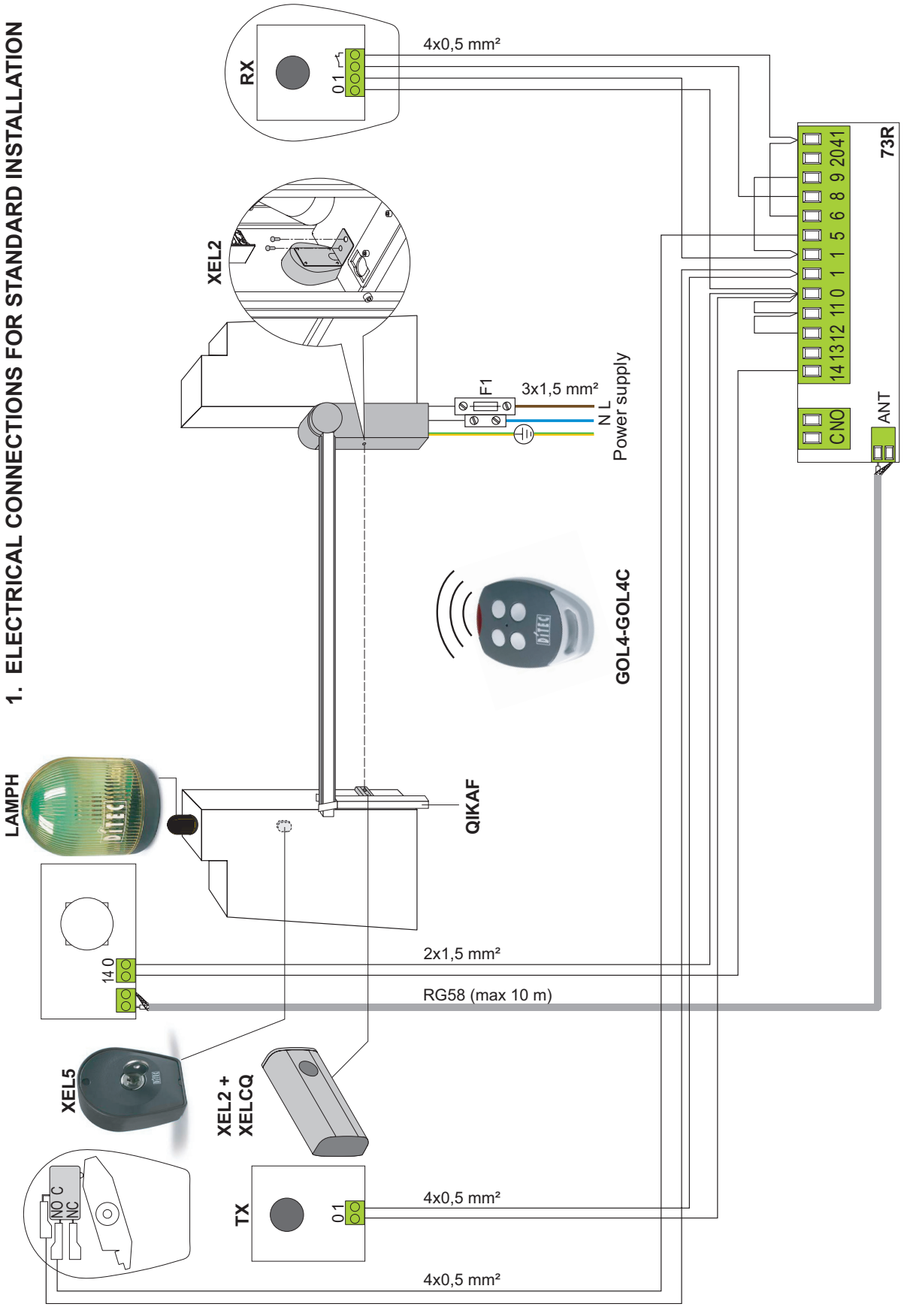
AUTOMATIC ENTRANCE SPECIALISTS

QIK7EH - 73R
QUICK REFERENCE

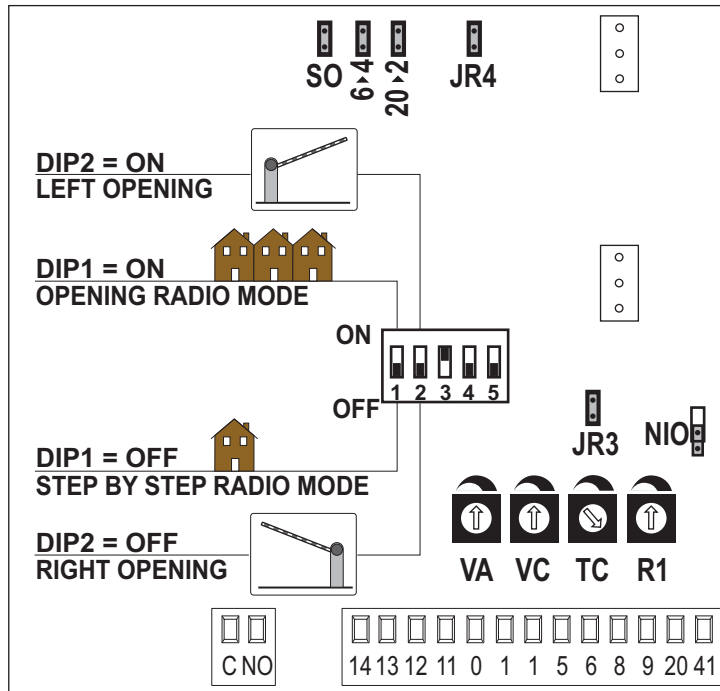
IP2007
rev. 2008-08-04

⚠ Before installing the product, carefully read the instructions.

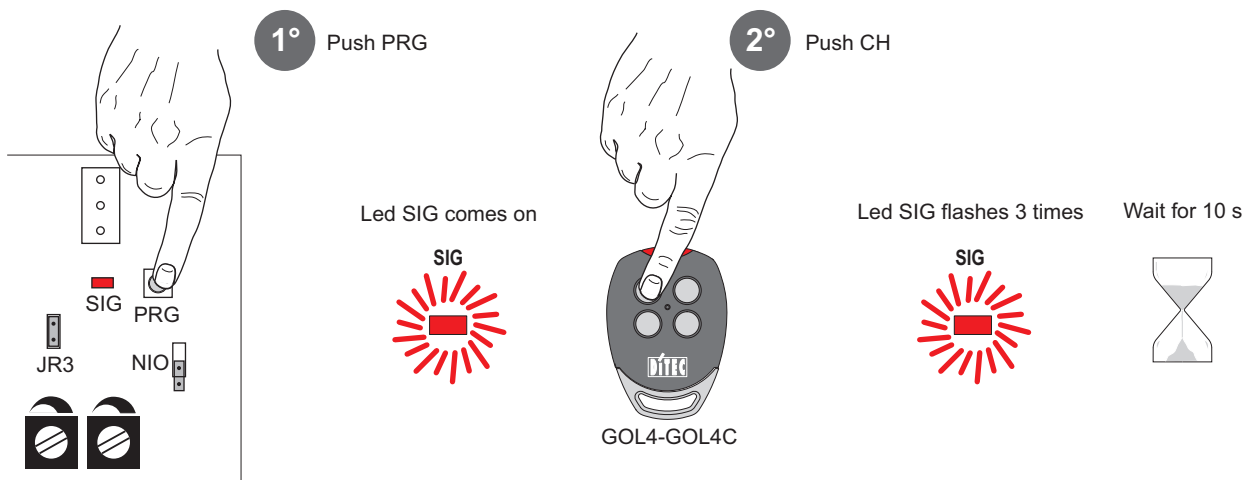
1. ELECTRICAL CONNECTIONS FOR STANDARD INSTALLATION



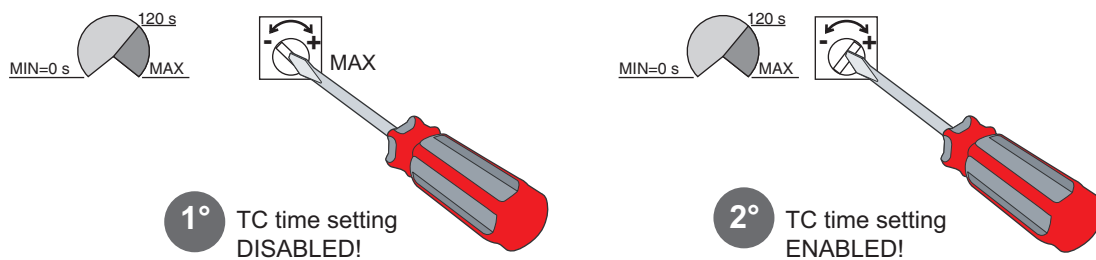
2. 73R STANDARD SETTING



3. RADIO ENABLING



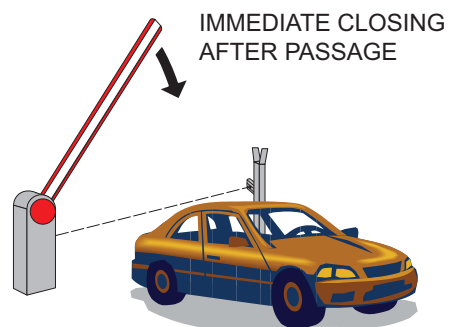
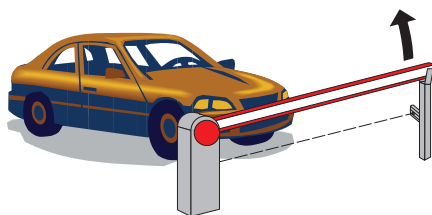
4. AUTOMATIC CLOSING SETTING



5. PARKING USAGE



1° DIP1=ON
DIP3=OFF



For different setting and further information consult the QIK7EH automation instruction manual, the 73R control panel instruction manual and BIXLR22 radio instruction manual.

DITEC S.p.A.
Via Mons. Banfi, 3 - 21042 Caronno Pertusella (VA) - ITALY
Tel. +39 02 963911 - Fax +39 02 9650314
www.ditec.it - ditec@ditecva.com